

ESSMANN Flat-Roof Drainage Safety Systems

Price list 1. March 2016



ESSMANN Gully *classic*

for the homogeneous roof sheeting connection

Product description (exemplary presentation with bitumen safety flange)	DN	Order no. Bitumen safety flange (PP)	Order no. PVC, VAE, PEC (PVC)	Order no. FPO/TPO (PP) ²⁾	Retail price €/piece	
 <p>Vertical, double walled, including pebble trap</p>	70	0507041	0505500	—	77.00	
	100	0507042	0505501	—	77.00	
	125	0507043	0505502	—	77.00	
	150/125 ³⁾	—	0505503	—	77.00	
	150	0507044	—	—	80.00	
 <p>Vertical, double walled, heated, including pebble trap; Heating: 230 V max. 120 mA¹⁾</p>	70	0507045	0505504	—	138.00	
	100	0507046	0505505	—	138.00	
	125	0507047	0505506	—	138.00	
	150/125 ³⁾	—	0505507	—	138.00	
	150	0507048	—	—	142.00	
 <p>Angled, double walled, including pebble trap</p>	70	0507049	0505508	—	123.00	
	100	0507050	0505509	—	123.00	
	125/100 ³⁾	—	0505510	—	123.00	
	125	0507051	—	—	123.00	
 <p>Angled, double walled, heated, including pebble trap; Heating: 230 V max. 120 mA¹⁾</p>	70	0507052	0505511	—	157.00	
	100	0507053	0505512	—	157.00	
	125/100 ³⁾	—	0505513	—	157.00	
	125	0507054	—	—	157.00	
 <p>Extension units including seal ring and lubricant</p>	from 45 to 120 mm WD	125	0507055	0505515	0505519 ⁵⁾	74.00
	from 110 to 160 mm WD	125	0507056	0505516	0505520 ⁵⁾	77.00
	from 140 to 220 mm WD	125	0507057	0505517	0505521 ⁵⁾	86.00
	from 140 to 220 mm WD	150	0507058	0505518	0505522 ⁵⁾	87.00
	from 25 to 270 mm WD	150	11000204902 ^{4) 5)}	11000205142 ⁵⁾	11000205148 ⁵⁾	89.00
 <p>Balcony gully type A, vertical version, including small pebble trap, for 2 nominal widths</p>	50/70	0505360	—	—	38.00	
 <p>Balcony gully type A, angled, including small pebble trap</p>	50	0505261	—	—	47.00	
	70	0505262	—	—	47.00	
 <p>Extension units including small pebble trap and lip seal; suitable for balcony gully type A and type B in DN 70 to 110 mm WD to 200 mm WD</p>	50	0505263	—	—	38.00	
	50	0505971 ⁴⁾	0505972	0505973	38.00	
 <p>Balcony gully type B, vertical version, including small pebble trap; pipe length: 200 mm</p>	50	0505965 ⁴⁾	0505967	0505969	38.00	
	70	0505966 ⁴⁾	0505968	0505970	38.00	

1) Power consumption at 20 °C approx. 5 W, at 0 °C approx. 11 W, at -20°C approx. 15 W

2) FPO/TPO (PP) connection for Inofin FR, Sucoflex-C, Sarnafil-T, Thermoplan T, Vedaplan, FPO/TPO (PE) connection: Delivery time upon request

3) DN 125 with transition insert to DN 150 or DN 100 with transition pipe to DN 125

4) Without Screw flange

5) Without lip seal holding fixture



ESSMANN Srew Flange Gully



Loose flange version for on-site connection of Roofsheeting

Product description		DN	Order no. Screw flange (PP)	Screw flange gullies for Roofsheeting from a thickness of 1.3 mm	Retail price €/piece
	Vertical, double walled, including pebble trap	70	0507001		77.00
		100	0507002		77.00
		125	0507003		77.00
		150	0507004		80.00
	Vertical, double walled, heated, including pebble trap; Heating: 230 V max. 120 mA ¹⁾	70	0507005		138.00
		100	0507006		138.00
		125	0507007		138.00
		150	0507008		142.00
	Angled, double walled, including pebble trap	70	0507010		123.00
		100	0507011		123.00
		125	0507012		123.00
	Angled, double walled, heated, including pebble trap; Heating: 230 V max. 120 mA ¹⁾	70	0507013	Gullies and extension units can be combined with the <i>classic</i> series	157.00
		100	0507014		157.00
		125	0507015		157.00
	Extension units, including seal ring and lubricant from 45 to 120 mm WD from 110 to 160 mm WD from 140 to 220 mm WD from 50 to 220 mm WD	125	0507020		74.00
		125	0507021		77.00
		125	0507022		86.00
		150	0507025		87.00
	Vari-level gully, vertical, including pebble trap, graduated connection pieces for 2 nominal widths	70/100	0507030		57.00
	Balcony gully, angled, including small pebble trap	50	0507036		47.00
		70	0507037		47.00
	Extension unit for WD 110 mm	50	0507038	Balcony gullies and extension units can be combined with the <i>classic</i> series type A and type B	38.00
	Balcony gully, vertical version, including small pebble trap, for 2 nominal widths	50/70	0507035		38.00

1) Power consumption at 20 °C approx. 5 W, at 0 °C approx. 11 W, at -20°C approx. 15 W





ESSMANN Renovation Gully

Product description	DN	Order no. bitumen connection (PP)	Order no. PVC, VAE, PEC (PVC)	Order no. FPO/TPO (PP) ²⁾	Order no. screw flange (PP)	Retail price €/piece	
 <p>Renovation gully 2 with backflow-safe lip seal and pebble trap, suitable for:</p> <p>Pipe length: 320 mm DN 50 = 55 to 70 mm DN 70 = 85 to 100 mm DN 95 = 100 to 130 mm DN 125 = 130 to 150 mm DN 165 = 165 to 200 mm</p> <p>Pipe length: 600 mm DN 70 = 85 to 100 mm DN 95 = 100 to 130 mm DN 125 = 130 to 150 mm DN 165 = 165 to 200 mm</p> <p>Pipe length: 950 mm DN 70 = 85 to 100 mm DN 95 = 100 to 130 mm DN 125 = 130 to 150 mm DN 165 = 165 to 200 mm</p>	50	0505974	0505976	0505978	—	74.00	
	70	0505975	0505977	0505979	—	74.00	
	95	0505930	0505931	0505980	—	87.00	
	125	0505932	0505933	0505981	—	87.00	
	165	0505934	0505935	0505982	—	87.00	
	70	11000184514	11000184515	11000184516	—	86.00	
	95	0506093	0506094	0506095	—	101.00	
	125	11000043824	11000043825	11000043826	—	101.00	
	165	11000043827	11000043828	11000043829	—	101.00	
	70	11000350673	11000350686	11000350714	—	98.00	
	95	11000350676	11000350687	11000350715	—	111.00	
	125	11000350679	11000350688	11000350716	—	111.00	
	165	11000350681	11000350689	11000350718	—	111.00	
	 <p>Renovation gully with backflow-safe lip seal and pebble trap, suitable for:</p> <p>Pipe length: 210 mm DN 95 = 100 to 130 mm</p> <p>Pipe length: 265 mm DN 125 = 130 to 150 mm DN 165 = 165 to 200 mm</p>	95	—	—	—	0507031	87.00
		125	—	—	—	0507032	87.00
165		—	—	—	0507033	87.00	



ESSMANN Breather Vents

Product description	DN	Order no. elastomer/bitumen	Order no. PVC, VAE, PEC	Order no. BIT + PVC	Retail price €/piece
 <p>Cold roof breather vent type A made of PUR, including rain protector (removable)</p> <p>Adhesive flange with bitumen or PVC collar</p>	100	0506059	0506060	—	66.00
	70	0506080	0506083	0506086	129.00
 <p>Warm roof breather vent consisting of: 1 x ventilation pipe made of PE (black) including water deflector; Pipe length: 83 cm; 2 x adhesive flange with bitumen or PVC connecting sheeting; 1 x rain hood removable</p>	100	0506061	0506062	0506087	145.00
	125	0506081	0506084	0506088	178.00
	150	0506082	0506085	0506089	196.00



ESSMANN Spouters and Overflows

for homogeneous roofsheeting connection

Product description	DN/ Dimensions	Order no. Elastomer/bitumen (PP) ⁵⁾	Order no. PVC, VAE, PEC (PVC)	Order no. FPO/TPO (PP) ²⁾	Retail price €/piece	
<p>Spouter type A with inclined pipe (5°) Pipe length: 480 mm</p> <p>Pipe length: 700 mm</p> <p>Pipe length: 950 mm</p> <p><i>Further pipe lengths upon request</i></p>	50	0505989	0505990	0505991	52.00	
	70	0505924	0505925	0505992	53.00	
	100	0505926	0505927	0505993	55.00	
	125	0505928	0505929	0505994	58.00	
	50	0505904	0505908	0505911	67.00	
	70	0505913	0505915	0505917	70.00	
	100	0505919	0505946	0505948	74.00	
	125	0505955	0505957	0505854	77.00	
	50	0505905	11000210540	0505912	74.00	
	70	0505914	0505916	0505918	78.00	
	100	0505941	0505947	0505949	83.00	
	125	0505956	0505958	0505855	87.00	
	<p>Overflow type A with inclined pipe (5°) Pipe length: 480 mm</p> <p>Pipe length: 700 mm</p> <p>Pipe length: 950 mm</p> <p><i>Further pipe lengths upon request</i></p>	50	0505883	0505882	0505884	52.00
70		0505995	0505996	0505997	53.00	
100		0505942	0505943	0505998	55.00	
125		0505944	0505945	0505999	58.00	
50		11000351869	11000351874	11000351876	67.00	
70		0505856	0505858	0505860	69.00	
100		0505862	0505864	0505939	73.00	
125		0505868	0505870	0505872	77.00	
50		11000351871	11000351875	11000351878	75.00	
70		0505857	0505859	0505861	76.00	
100		0505863	0505865	0505867	82.00	
125		0505869	0505871	0505873	87.00	
		W x H x D				
<p>Rectangular spouter with inclined outlet (5°) Pipe length: 300 mm</p> <p>Pipe length: 600 mm</p> <p>Pipe length: 950 mm</p> <p><i>Image: Elastomer bitumen version without connecting collar</i></p> <p><i>Further pipe lengths upon request</i></p>	180 x 80 x 300	11000210541	0506096	11000210541	161.00	
	300 x 100 x 300	0505893	0505885	0505893	187.00	
	500 x 100 x 300	0505895	0505887	0505895	222.00	
	750 x 100 x 300	0505897	0505889	0505897	347.00	
	180 x 80 x 600	11000210542	0506097	11000210542	242.00	
	300 x 100 x 600	0505894	0505886	0505894	282.00	
	500 x 100 x 600	0505896	0505888	0505896	308.00	
	750 x 100 x 600	0505898	0505890	0505898	550.00	
	1000 x 100 x 600	0505810	11000210543	0505810	706.00	
	180 x 80 x 950	11000423430	11000423431	11000423430	310.00	
	300 x 100 x 950	11000423435	11000423436	11000423435	391.00	
	500 x 100 x 950	11000423439	11000423440	11000423439	500.00	
	750 x 100 x 950	11000423442	11000423443	11000423442	644.00	
	1000 x 100 x 950	11000423444	11000423445	11000423444	760.00	
	<p>Rectangular overflow with inclined outlet (5°) Pipe length: 300 mm</p> <p>Pipe length: 600 mm</p> <p>Pipe length: 950 mm</p> <p><i>Image: Elastomer bitumen version without connecting collar</i></p> <p><i>Further pipe lengths upon request</i></p>	180 x 80 x 300	11000335768	11000335705	11000335768	151.00
		300 x 100 x 300	0505822	0505820	0505822	167.00
		500 x 100 x 300	0505842	0505841	0505842	190.00
750 x 100 x 300		0505803	0505843	0505803	309.00	
180 x 80 x 600		11000335769	11000335706	11000335769	202.00	
300 x 100 x 600		0505840	0505821	0505840	233.00	
500 x 100 x 600		0505879	0505881	0505879	281.00	
750 x 100 x 600		0505809	0505804	0505809	495.00	
1000 x 100 x 600		0506091	0505892	0506091	671.00	
180 x 80 x 950		11000423450	11000423451	11000423450	304.00	
300 x 100 x 950		11000423457	11000423458	11000423457	385.00	
500 x 100 x 950		11000423464	11000423463	11000423464	494.00	
750 x 100 x 950		11000423467	11000423466	11000423467	644.00	
1000 x 100 x 950		11000423469	11000423470	11000423469	765.00	

2) FPO/TPO (PP) connection for Inofin FR, Sucoflex-C, Sarnafil-T, Thermoplan T, Vedaplan; FPO/TPO (PE) connection: Delivery time upon request
5) The base body of the rectangular overflows/rectangular spouters are made of PP.







Gully Accessories

ESSMANN Gully Accessories

Product description	DN/ Dimensions	Order no.	Retail price €/piece
 <p>Balcony gully attachment with stainless steel sieve plate for balcony gullies, suitable for small pebble trap, including odour barrier</p> <p>Height: min. 75 mm Height: max. 100 mm</p>	<p>ø 90 mm</p>	<p>0505901</p>	<p>44.00</p>
 <p>Terrace gully attachment with stainless steel sieve plate for roof and balcony gullies, height adjustment ring for continuous adjustment from 25 - 125 mm, drainage slots for drainage of the lower level</p>	<p>125</p>	<p>0505158</p>	<p>74.00</p>
 <p>Damming ring made of hard PVC for the direct connection of PVC, VAE, PEC and elastomer/bitumen roof sheeting for emergency drainage in combination with a gully</p> <p>Diameter: 300 mm</p>	<p>Height: 45 mm</p>	<p>0505906</p>	<p>45.00</p>
 <p>Renovation gully disc suitable for old gullies with PVC roofsheeting with an inlet diameter of 150 - 250 mm. The fastening method is mechanical and it is attached to the old gully with adhesive.</p> <p>There are combination options with the extension units of the <i>classic</i> series and Screw flange in DN 125. Including pebble trap and screws.</p>	<p>125</p>	<p>0505124</p>	<p>45.00</p>


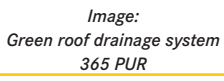




ESSMANN Gully Pebble Trap

Product description	DN/ Dimensions	Order no.	Retail price €/piece
 <p>Pebble trap for gullies of the <i>classic</i> series, safety flange and Screw flange</p>	70 – 125 mm	0501060	10.80
	150	0501061	13.00
 <p>Universal pebble trap suitable for gullies, individual adaptation through on-site shortening of the pipe inside mounting</p>	50 – 155 mm	0501163	14.00
 <p>Pebble trap for balcony gullies of the <i>classic</i> and Screw flange series (4 feet)</p>	50/70	0501062	9.80
 <p>Small pebble trap for balcony gully type B DN 50 (3 feet)</p>	50	0501057	8.60
















ESSMANN Gully Green Roof Drainage System

Product description	Dimensions in mm	Order no.	Retail price €/piece
 <p>Green roof drainage system 365 PUR with preformed connections for DN 70 pipes, including sieve plate Height: 100 mm</p>	365 x 365	0506041	129.00
 <p><i>Image: Green roof drainage system 365 PUR</i></p> <p>Green roof drainage system 500 PUR, consisting of foot part, upper part and cover (cast) Loadable to 0.5 t wheel load Installation height: 160 – 220 mm</p>	500 x 500	0506042	382.00
 <p>Extension unit for green roof drainage system 365 PUR, for 90 mm extension</p>		0506043	94.00
 <p><i>Image: Extension unit for green roof drainage system 365 PUR</i></p> <p>Extension unit for green roof drainage system 500 PUR, for 70 mm extension</p>		0506044	94.00

ESSMANN Gully Run-Off Capacity in l/s

through the measured values determined by the German State Testing Authority (LGA)

Damming height mm	DN 70				DN 100				DN 125				DN 150
	classic		Screw flange		classic		Screw flange		classic		Screw flange		Screw flange
													
15	2.10	2.60	2.10	1.80	2.30	3.20	2.50	2.20	2.20	1.40	2.40	2.20	2.20
25	3.80	4.50	3.70	4.00	4.10	5.00	4.20	3.85	4.10	3.10	4.20	4.00	4.60
35	5.60	6.80	5.40	5.50	6.20	6.30	6.20	5.50	6.10	5.60	6.10	5.80	7.00
45	7.20	–	7.30	7.40	8.50	8.80	8.10	7.10	8.40	7.10	7.90	7.50	9.40
55	8.50	–	9.00	–	11.30	10.00	10.60	8.90	10.60	8.40	10.20	9.20	12.00

ESSMANN Renovation Gully

Damming height	DN 50 in pipe DN 70	DN 70 in pipe DN 100	DN 95		DN 125 in pipe DN 150	DN 165 in pipe DN 150
			in pipe DN 100	in pipe DN 125		
5	0.3	0.3	0.4	0.4	0.5	0.5
15	1.1	1.5	1.8	1.7	1.6	1.7
25	1.9	2.8	3.1	3.1	3.0	3.3
35	3.8	4.3	5.1	5.1	5.4	6.0
45	6.2	6.9	7.3	7.8	7.9	9.4
55	–	9.2	9.8	10.2	11.4	13.2
65	–	11.0	13.1	13.1	15.6	17.8

ESSMANN Gully with Damming Ring

Damming height above damming ring mm	conforms to a heavy snow load of kN/m ²	with damming ring ø 300		
		DN 70 without AE	DN 100 without AE	DN 125 without AE
45+ 5	0.50	0.5	1.5	1.6
45+20	0.65	4.4	6.9	7.6
45+30	0.75	8.3	11.3	11.8
45+40	0.85	12.0	15.9	16.5
45+55	1.00	15.9	24.5	25.4

ESSMANN Spouter and Emergency Overflows

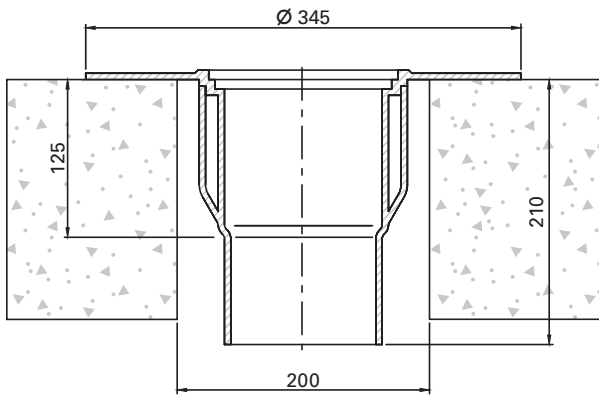
Damming height	DN 50	DN 70	DN 100	DN 125
15	0.18	0.18	0.30	0.30
25	0.34	0.38	0.55	0.55
35	0.51	0.65	1.00	1.00
45	0.90	0.95	1.50	1.50
55	1.17	1.25	2.00	2.10
65	1.31	1.65	2.65	2.80

ESSMANN Rectangular Spouter and Rectangular Overflows

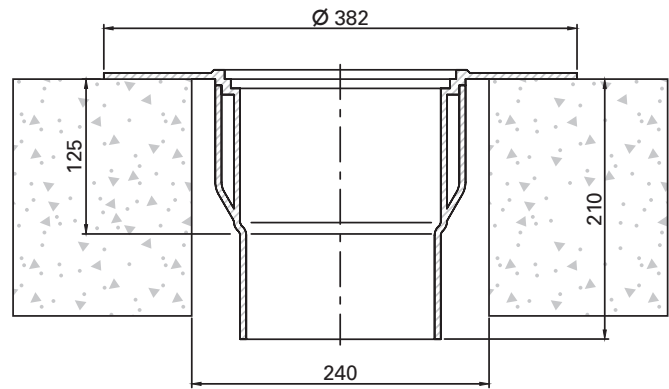
Damming height	180/80	300/100	500/100	750/100	1000/100
5	0.20	0.30	0.60	0.80	0.90
15	0.60	0.80	1.60	2.10	3.70
25	1.30	1.80	3.40	4.60	7.80
35	1.90	3.00	5.50	7.50	12.60
45	2.80	4.40	7.90	11.00	17.70
55	3.80	6.00	10.50	14.90	23.40
65	5.00	7.80	13.40	19.20	29.40

ESSMANN Gully Raw Building Dimensions

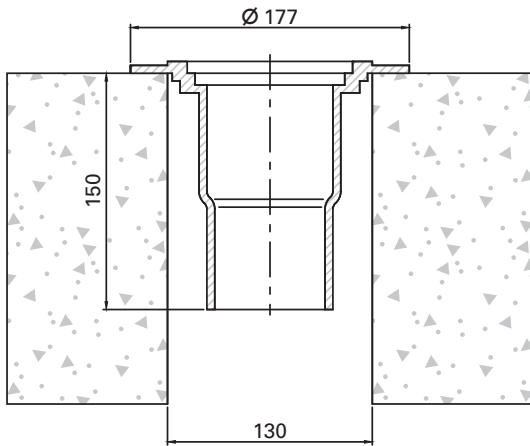
Attention must be paid to the raw building dimensions, especially when installing in concrete ceilings.



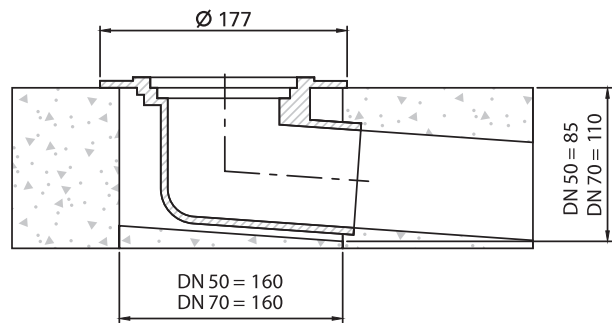
DN 70 - 125 vertical



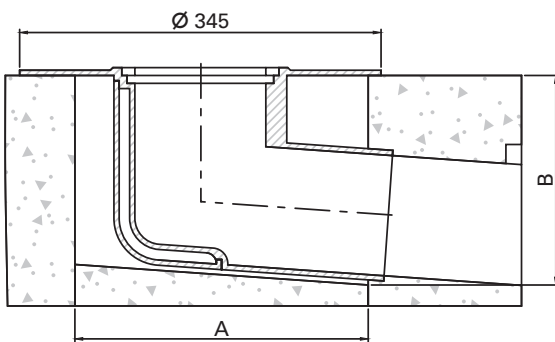
DN 150 vertical



Balcony gully type A
50/70 vertical



Balcony gully type A
angled



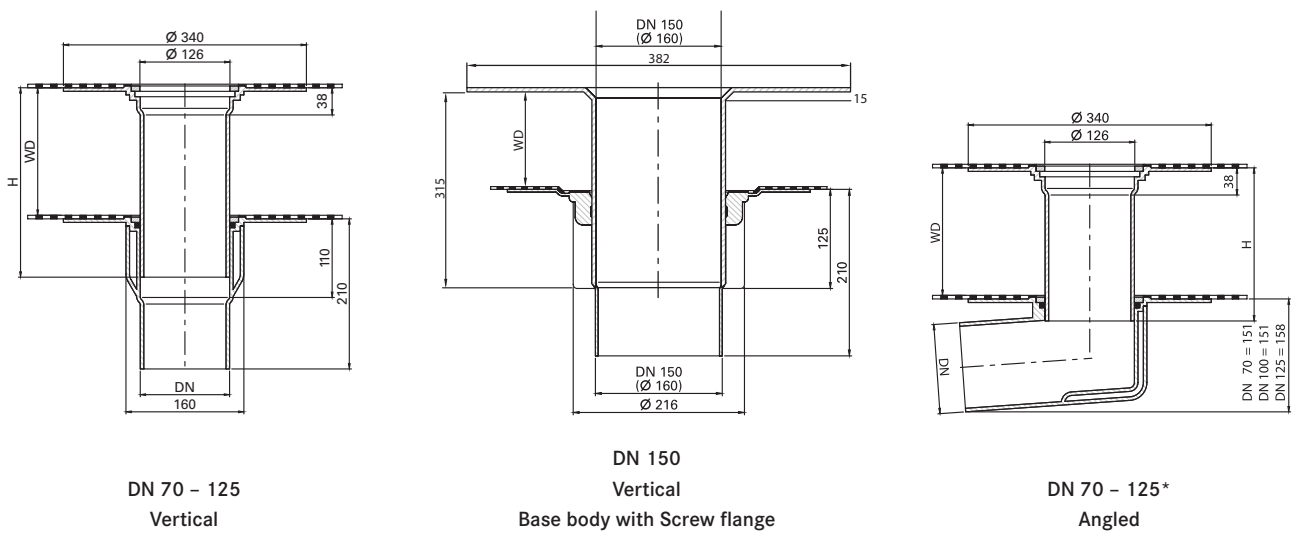
Gully,
angled

Gully, angled

ESSMANN Screw flange Gully/Safety Flange		
Nominal width	A	B
DN 70	260	156
DN 100	280	200
DN 125	280	200

ESSMANN Gully classic PVC		
Nominal width	A	B
DN 70 - 125	260	165

ESSMANN Gully *classic* PVC

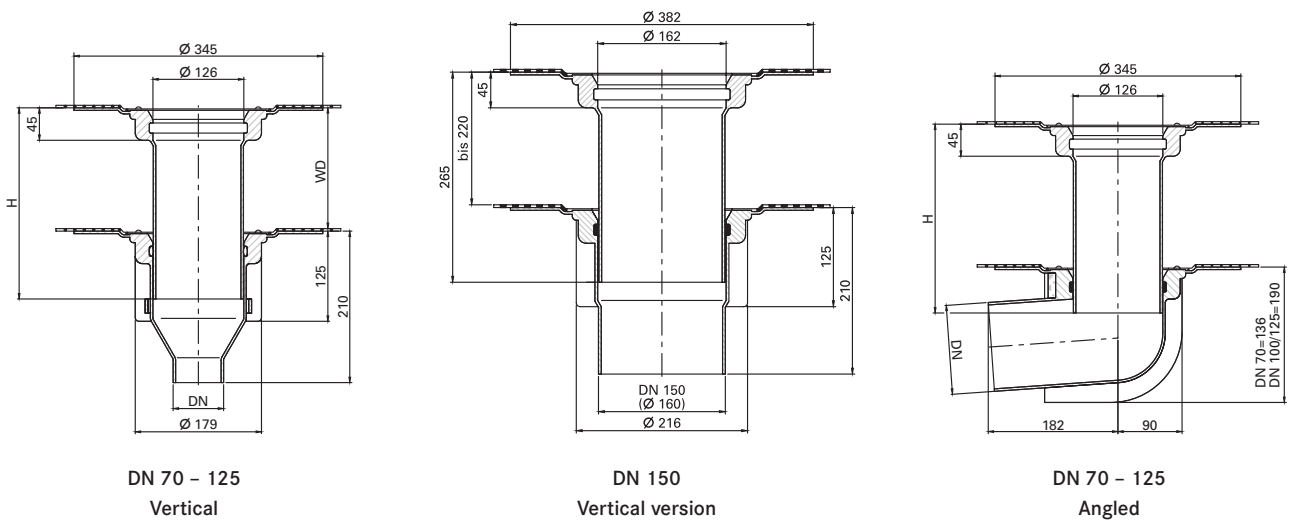


DN 70 - 125
Vertical

DN 150
Vertical
Base body with Screw flange

DN 70 - 125*
Angled

ESSMANN Screw flange Gully/Bitumen Safety Flange**

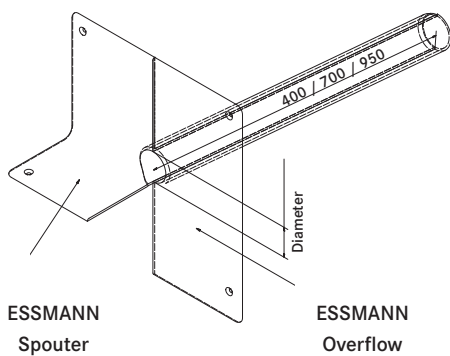


DN 70 - 125
Vertical

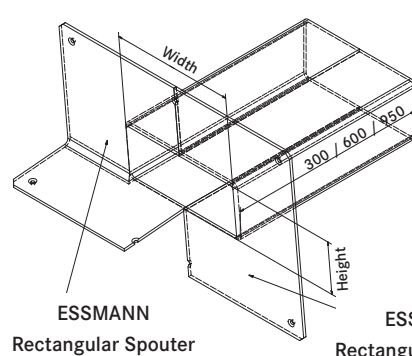
DN 150
Vertical version

DN 70 - 125
Angled

ESSMANN Spouter and Emergency Overflows



Dimensions	
DN	Dia meter
50	50
70	70
100	110
125	125

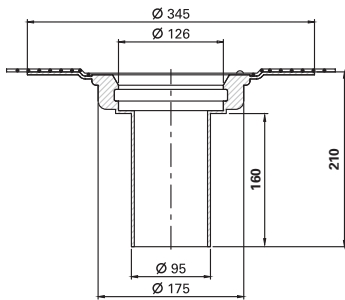


Dimensions	
Width	Height
180	80
300	100
500	100
750	100
1000	100

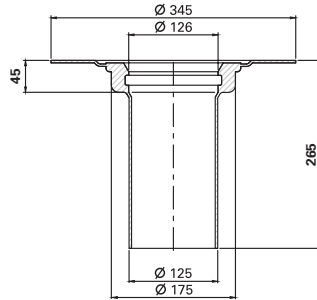
* With connecting pipe from DN 100 to DN 125

** The bitumen connecting collar has the dimensions 50 cm x 50 cm

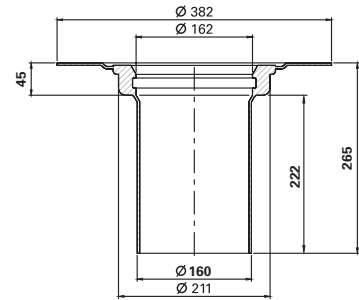
ESSMANN Renovation Gully



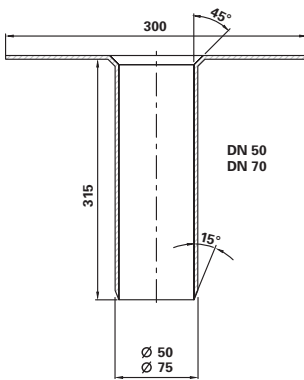
ESSMANN Renovation Gully
DN 95
Version in Screw flange



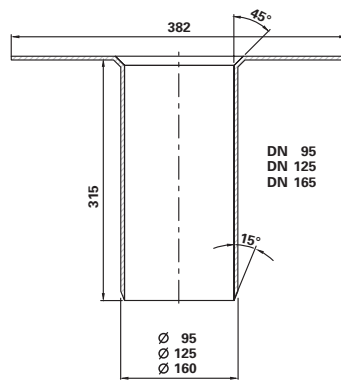
ESSMANN Renovation Gully
DN 125
Version in Screw flange



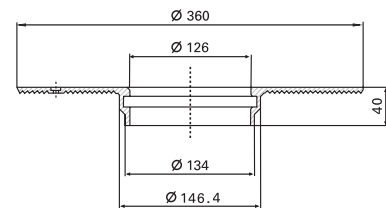
ESSMANN Renovation Gully
DN 165
Version in Screw flange



ESSMANN Renovation Gully 2
DN 50/70
classic version

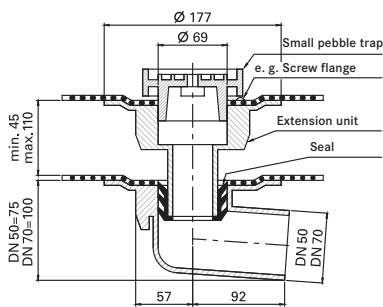


ESSMANN Renovation Gully 2
DN 95/125/165
classic version

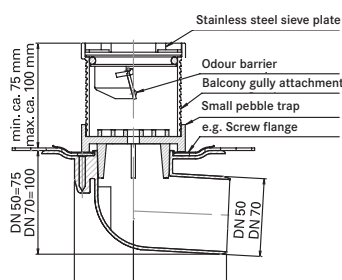


ESSMANN Renovation Gully Disc
for old gully inlet inner diameter of
150 - 250 mm

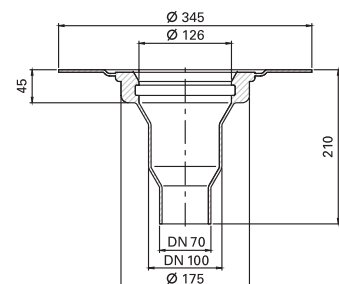
ESSMANN Balcony Gully/Vari-level Gully



ESSMANN Balcony Gully
DN 50 and DN 70 angled



ESSMANN Balcony Gully
with Odour Trap



ESSMANN Vari-level Gully
Screw flange version

Contact us for advice.

Technical support for the flat-roof drainage safety systems
product range: **Joachim Beyer**

» T +49 5222 791-186

» joachim.beyer@essmann.de

A checklist of the gully runoff calculations for the flat-roof drainage safety systems can be found in the download area or under the respective product on our website at www.essmann.de.

Tested safety

All ESSMANN flat-roof drainage safety systems are extensively tested and certified.



ESSMANN skylight dome price list

Dated 01. March 2016



Price list ESSMANN skylight domes

Our proven skylight dome product range can be used as a modular system for the building envelope in the construction and in the refurbishment.

» You can easily download our flat-roof drainage safety systems and skylight dome price lists in the [download area on our website www.essmann.de](http://www.essmann.de).

All prices exclude statutory VAT.

Valid from the date of issue until publication of a new edition. Subject to technical changes and errors. Images are for guidance only.

Our general business conditions (dated 01/01/2012) can be found in the download area on our website www.essmann.de.

For invoice values up to 200.00 € gross, we calculate a surcharge of 10.00 € gross per invoice.

ESSMANN

LIGHT AIR SAFETY

ESSMANN
Gebäudetechnik GmbH
Im Weingarten 2
32107 Bad Salzuflen
Germany

T + 49 5222 791 - 0
F + 49 5222 791 - 236
info@essmann.de
www.essmann.de

STG BEIKIRCH

AUTOMATION ELECTRONICS

STG-BEIKIRCH
Industrieelektronik + Sicherheitstechnik GmbH & Co. KG
Trifte 89
32657 Lemgo
Germany

T + 49 5261 9658-0
F + 49 5261 9658-66
info@stg-beikirch.de
www.stg-beikirch.de



WE SEE THE BIG PICTURE.